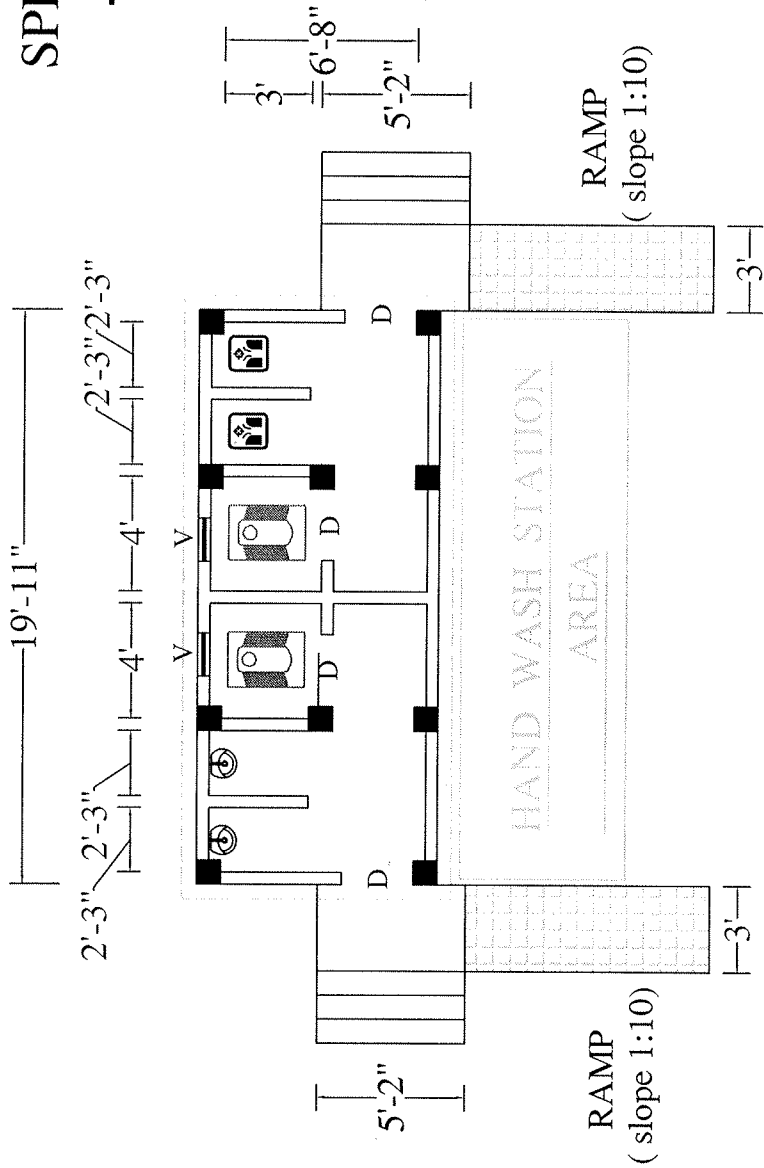


# PLAN OF TWO UNIT TOILET WITH URINAL



## SPECIFICATION--

**TOILET SIZE = 4'0" X 3'10" (EACH)**

**URINAL SIZE = 2'3" X 3'5" (EACH)**

**PLINTH HEIGHT = 1'6"**

**ROOF HEIGHT = 7'8"**

**WALL THICKNESS = 0'5"**

**PLINTH AREA = 165.97 Sft**

**ROOF AREA = 195.22 Sft**

## OPENINGS:-

- i) Door (D) = 2'-6"x7'-0"
- ii) Ventilation (V) = 1'-6"x0'-8"



Brick work = 0'-10"x0'-10"

STUB  
FOUNDATION

DRAWING FOR CONSTRUCTION OF  
TWO UNIT TOILET WITH URINAL UNDER  
BIHAR EDUCATION PROJECT COUNCIL

DRAWING SHEET NO :- 1

SCALE :- N T S

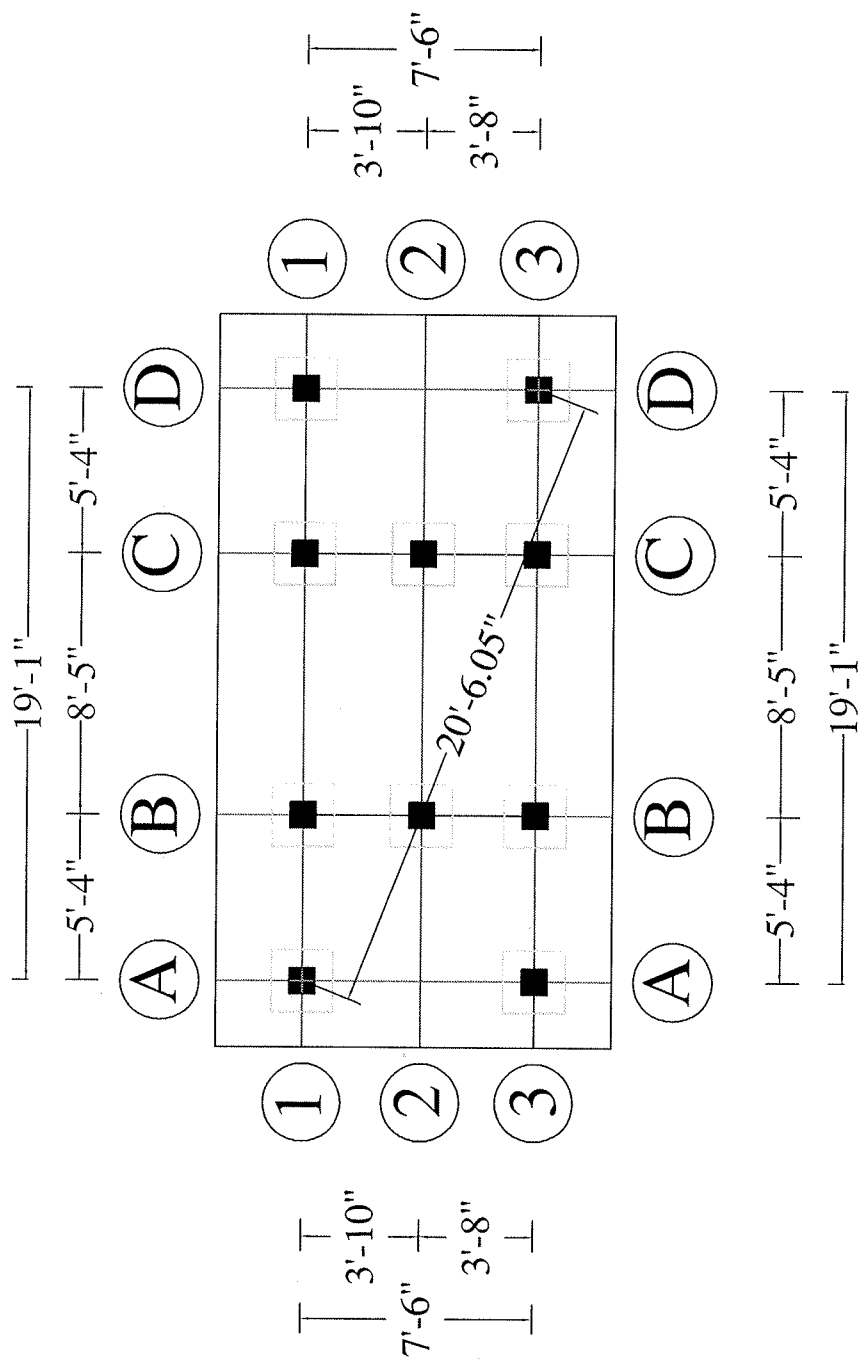
*S.P.B.*  
JE  
BEPC PATNA

EE  
BEPC PATNA

C.W.M  
BEPC PATNA

252  
324

LAYOUT PLAN OF TWO UNIT TOILET WITH URINAL



STUB  
FOUNDATION

DRAWING FOR CONSTRUCTION OF  
TWO UNIT TOILET WITH URINAL UNDER  
BIHAR EDUCATION PROJECT COUNCIL

DRAWING SHEET NO :- 2

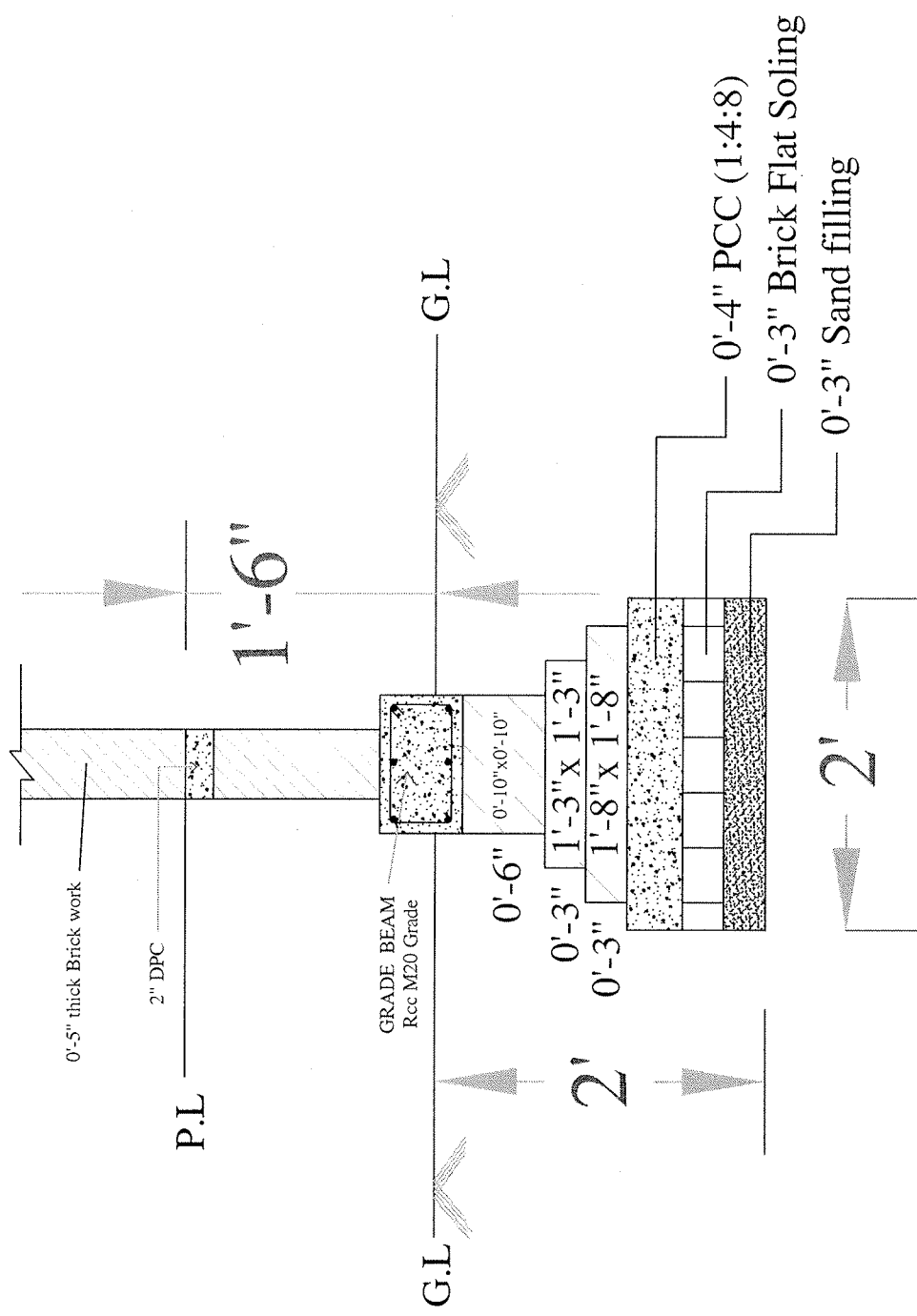
SCALE :- N T S

*[Signature]*  
JE  
BEPC PATNA

EE  
BEPC PATNA

C.W.M  
BEPC PATNA

*[Handwritten marks]*



# STUB FOOTING

## STUB FOUNDATION

DRAWING FOR CONSTRUCTION OF  
TWO UNIT TOILET WITH URINAL UNDER  
BIHAR EDUCATION PROJECT COUNCIL

DRAWING SHEET NO :- 3  
SCALE :- N T S

*(Signature)*  
JE  
BEPC PATNA

EE  
BEPC PATNA

C.W.M  
BEPC PATNA

*(Signature)*